


Job Name		Engineer / Architect	
Job Location		Wholesaler	
Submittal Date		Contractor	

## OCR19B12A/ OCR19B16A/ OCR19B20A Braided Faucet Supply Kit - Compression Multi-Turn Angle Stop

**Use:** For use with water in accessible locations only. Not intended for recirculating systems that produce continuous use temperatures above 115° F. For those applications, use our KT™ series supply kits.

**Design Features:**

- **Everything you need.** These kits combine our trusted BrassCraft supply stop, braided water connector, and escutcheon for an easy-to-install connection
-  **No Lead**

**Braided Connector Provides:**

- **Superior corrosion resistance** to harsh chemicals found in common household cleaning and plumbing repair products
- **Tough inner core** is reinforced to resist chlorine and chloramine leaching and deterioration
- **Rubber washers** provide a large pliable sealing surface and ensures a long lasting water-tight connection
- **8-sided pneumatic crimp** provides greater dependability for reliable nut-to-hose connections

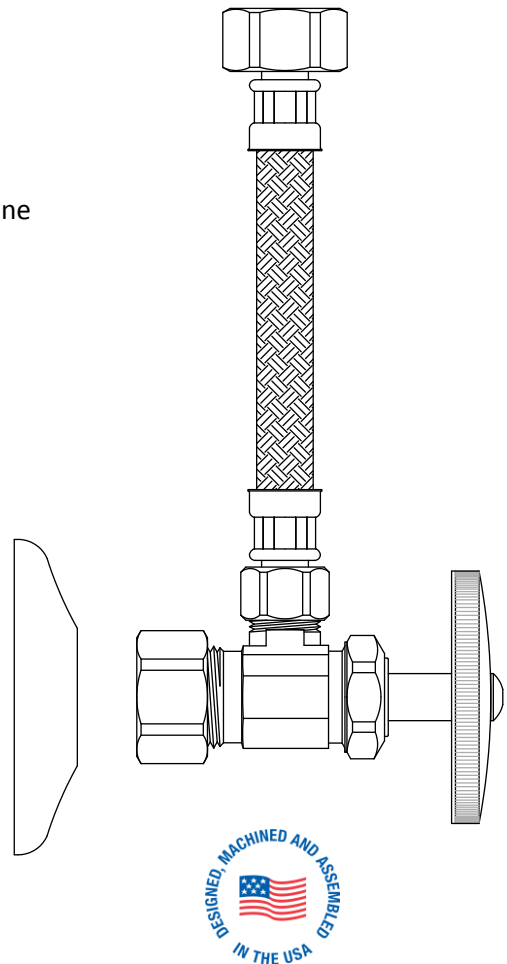
**Multi-Turn Stop Provides:**

- **Machined one-piece brass body** provides strength, durability, and long-lasting performance
- **Oval knurled handle** provides a secure grip and smooth on/off operation
- **Easy-to-remove handle** with screw attachment helps protect against accidental stop operation during rough-ins

**Operating Specifications:**

**Temperature:** 40° - 140° F  
**Pressure:** 125 PSI maximum

**Tubing Diameter:** 0.300" ID (0.550" OD)



*This specification and all information contained herein is the confidential and exclusive property of BrassCraft Manufacturing, and shall not be disclosed to others without the written consent of BrassCraft. This specification must be returned to BrassCraft if requested.*



# OCR19B12A/ OCR19B16A/ OCR19B20A Braided Faucet Supply Kit - Compression Multi-Turn Angle Stop

## Standard Product

STOP MATERIAL SPECIFICATIONS	
<b>Body</b>	Brass, chrome plated
<b>Stem</b>	POM
<b>Bib &amp; Packing Washer</b>	Rubber
<b>Packing Nut</b>	Brass, chrome plated
<b>Handle</b>	Metal, chrome plated; ABS chrome plated; or Polycarbonate
<b>Handle Screw</b>	Zinc-plated steel
<b>Compression Nut</b>	Brass, chrome plated
<b>Compression Sleeve</b>	Brass
<b>Escutcheon</b>	Stainless steel
<b>Loose Key</b>	Zinc, die cast plated
<b>Loose Key Stem</b>	Brass

CONNECTOR MATERIAL SPECIFICATIONS	
<b>Braided Connector</b>	
<b>Inner Hose</b>	Reinforced PVC
<b>Braiding</b>	PVC coated polyester yarn
<b>Barb</b>	No-Lead brass
<b>Ferrule</b>	Zinc-plated steel
<b>Nut</b>	Brass, chrome plated
<b>Washer</b>	Rubber
<b>Compression Nut</b>	Brass, chrome plated

## No-Lead Product

STOP MATERIAL SPECIFICATIONS	
<b>Body</b>	No-Lead brass, chrome plated
<b>Stem</b>	POM
<b>Bib &amp; Packing Washer</b>	Rubber
<b>Packing Nut</b>	Brass, chrome plated
<b>Handle</b>	Metal, chrome plated; ABS chrome plated; or Polycarbonate
<b>Handle Screw</b>	Zinc-plated steel
<b>Compression Nut</b>	Brass, chrome plated
<b>Compression Sleeve</b>	Brass
<b>Escutcheon</b>	Stainless steel
<b>Loose Key</b>	Zinc, die cast plated
<b>Loose Key Stem</b>	Brass

CONNECTOR MATERIAL SPECIFICATIONS	
<b>Braided Connector</b>	
<b>Inner Hose</b>	Reinforced PVC
<b>Braiding</b>	PVC coated polyester yarn
<b>Barb</b>	No-Lead brass
<b>Ferrule</b>	Zinc-plated steel
<b>Nut</b>	Brass, chrome plated
<b>Washer</b>	Rubber
<b>Compression Nut</b>	Brass, chrome plated

### Standard Part Listing:

- OCR19B12A C      1/2" nom compression x 3/8" OD compression multi-turn stop with 1/2" FIP outlet x 12" length braided connector & shallow escutcheon, chrome plated
- OCR19B16A C      1/2" nom compression x 3/8" OD compression multi-turn stop with 1/2" FIP outlet x 16" length braided connector & shallow escutcheon, chrome plated
- OCR19B20A C      1/2" nom compression x 3/8" OD compression multi-turn stop with 1/2" FIP outlet x 20" length braided connector & shallow escutcheon, chrome plated

### No-Lead Part Listing:

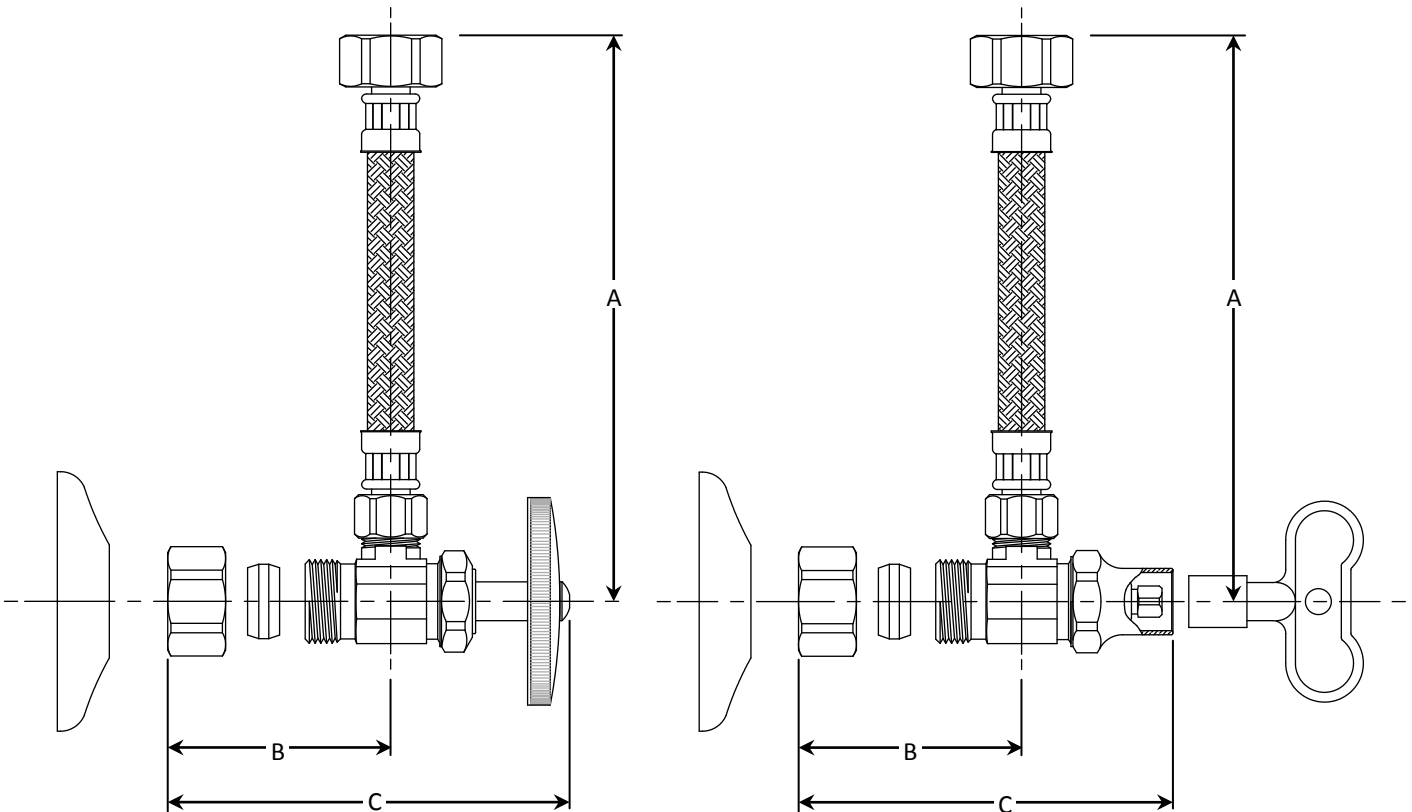
- OCR19B12AX C      1/2" nom compression x 3/8" OD compression multi-turn stop with 1/2" FIP outlet x 12" length braided connector & shallow escutcheon, chrome plated
- OCR19B16AX C      1/2" nom compression x 3/8" OD compression multi-turn stop with 1/2" FIP outlet x 16" length braided connector & shallow escutcheon, chrome plated
- OCR19B20AX C      1/2" nom compression x 3/8" OD compression multi-turn stop with 1/2" FIP outlet x 20" length braided connector & shallow escutcheon, chrome plated
- SCR19B12AX C2      1/2" nom compression x 3/8" OD compression multi-turn stop with 1/2" FIP outlet x 12" length braided connector & shallow escutcheon, loose key, chrome plated

*This specification and all information contained herein is the confidential and exclusive property of BrassCraft Manufacturing, and shall not be disclosed to others without the written consent of BrassCraft. This specification must be returned to BrassCraft if requested.*



# OCR19B12A/ OCR19B16A/ OCR19B20A Braided Faucet Supply Kit - Compression Multi-Turn Angle Stop

PART DIMENSIONS (Inches)			
Model	DIM. A	DIM. B	DIM. C
OCR19B12A	12.50 / 13.50	1.16	2.84
OCR19B16A	16.50 / 17.50	1.16	2.84
OCR19B20A	20.50 / 21.50	1.16	2.84
SCR19B12A	12.50 / 13.50	1.16	2.62



**Listings & Certifications:**

**Stops:**

- IAPMO listed to ASME A112.18.1 / CSA B125.1 (File # 0645)
- CSA listed to ASME A112.18.1 / CSA B125.1 (File #204593)
- No-Lead product CSA listed to Low-Lead Content Certification Program – Plumbing Products Class 6853-01

**Connectors:**

- IAPMO listed to ASME A112.18.6 / CSA B125.6 (File # 0452)
- CSA listed to ASME A112.18.6 / CSA B125.6 (File #204593)
- No-Lead product CSA listed to Low-Lead Content Certification Program – Plumbing Products Class 6853-01



*This specification and all information contained herein is the confidential and exclusive property of BrassCraft Manufacturing, and shall not be disclosed to others without the written consent of BrassCraft. This specification must be returned to BrassCraft if requested.*

